



# CHARGING ALLWAYS

The complete charging solution  
for all electric vehicles

**JOINON** | powered by **GEWISS**

# Contents

Innovation in everyday life	5
The advantages of e-mobility	6
<b>What does JOINON offer?</b>	<b>8</b>
I-CON EVO > Charging just got smarter	11
I-ON EVO > The perfect design	13
I-FAST > E-mobility available to everyone, anywhere	15
I-CORD > Fill up with energy	17
<b>JOINON Platform</b>	<b>18</b>
SMALL NET	
<b>myJOINON &gt; Single app for installer and owner</b>	<b>20</b>
Configuration	
What you can do with the App	
<b>Tools and services</b>	<b>22</b>
0% concerns, 100% support	
Configurator for dedicated electric vehicle charging solutions	
<b>Discover the advantages of JOINON</b>	<b>24</b>
<b>Private residential sector</b>	<b>26</b>
Single homes	
Condominiums	
<b>Private business sector</b>	<b>30</b>
Companies	
Logistics hubs	
<b>Semi-public sector</b>	<b>34</b>
Hotels and B&Bs	
Restaurants	
Shopping centres	
Sport centres	
<b>Public sector</b>	<b>42</b>
Public car parks	
Service stations	
<b>Technical specifications</b>	<b>48</b>
I-CON EVO	50
I-ON EVO COLUMN	52
I-ON EVO WALLBOX	53
I-FAST WALLBOX / MOVABLE	54
I-FAST COMPACT	55
I-FAST STATION	56
I-FAST HPC COMPACT	62
I-FAST HPC STATION	63
I-CORD	64



**JOINON** Innovation in  
everyday life:  
JOINON offers  
technology products  
and services that  
anticipate the new  
electric mobility needs

JOINON is the GEWISS solution for mobility in the modern world designed for individuals and businesses, with a range of new, innovative, safe and easy-to-use products and services.

# JOINON is a solution for all of the EV Driver's needs

JOINON is the solution for those striving to achieve increasingly dynamic and environmentally conscious lifestyle.

## Electricity market: a trend in constant growth and evolution, with advantages for everyone



### More benefits, fewer costs:

- Tax concessions for the purchase of electric cars and infrastructure
- Lower maintenance costs and greater assurance of the electric vehicle's life span



### More time, less stress:

- Access to restricted traffic areas
- Option to park in specially dedicated areas
- Faster and more powerful charging



### Greater care for the environmental, less pollution:

- A reduction in fuel-related pollution due to the increasing number of electric vehicles on the market.

## 2035 global electric vehicle landscape

**20 million**

the number of electric cars sold in 2025 (+20% compared to 2024)

**50%**

an estimate of the share of electric cars sold in 2035 (compared to the number of vehicles in circulation)



**95 million**

the number of electric cars circulating in 2025 (+25% compared to 2024)

**510 million**

estimate of the number of electric cars circulating in 2035

What does JOINON offer?

# Charging stations: solutions for a more efficient electrical life

The wide range of GEWISS charging stations allows EV Drivers to choose the best product according to their installation type and specific needs.

**JOINON is a GEWISS solution:** much more than a simple range of products for charging electric vehicles.



WALLBOX WITH FREE ACCESS



WALLBOX WITH CONTROLLED ACCESS



COLUMN



CHARGING CABLE



WALLBOX



MOVABLE



COMPACT



STATION



HPC COMPACT



HPC STATION



**COMPONENTS**

The charging sockets and cables, the protection and measurement devices and the entire structure of the charging station are "Made in GEWISS". This makes JOINON the ideal solution for demanding OEM customers looking for products that are reliable, safe and of guaranteed quality.



**CHARGING STATIONS**

All GEWISS stations are compatible with any type of electric vehicle. Available in both ground and wallbox applications, JOINON charging stations can be installed in any context, residential, private corporate, industrial, semi-public and public, thanks to the optimisation of the user experience and the highest protection rating available on the market (IP55).



**JOINON APP & PLATFORM**

The JOINON platform is a powerful tool for managing and controlling the charging stations. Used alongside the geo-location application, it allows you to increase the visibility of your infrastructure and makes charging simple, intuitive and immediate for any EV Driver.



**INVOICING**

No need to employ new administrative resources; with JOINON, revenue management is easy and streamlined. JOINON will collect revenue from EV Driver customers who use stations via the app to charge their electric vehicles and then pass them on to the charging station owner.



**24/7 SERVICE**

JOINON customers have access to a professional and fast service that is always active, with a dedicated helpdesk and a nationwide guaranteed technical support.



**YOUR E-MOBILITY PARTNER**

JOINON is the right partner for brands interested in the world of e-mobility, offering a complete solution for managing their network and customers. In addition, all our charging products can be customised with logos and/or graphics.



# Charging just got smarter

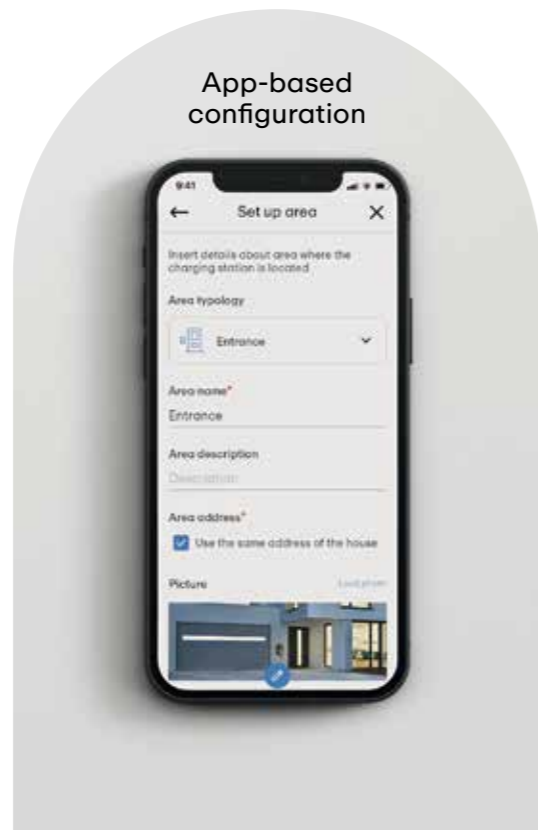
Universal wallbox for AC charging



Wall-mounted version



Flush-mounted version



App-based configuration



## SOPHISTICATED AND ERGONOMIC DESIGN PERFECT FOR DOMESTIC CONTEXTS

- High construction standards, with IP55 weather protection rating and IK11 mechanical resistance.
- Vandal-proof socket with shutter.
- Wide versatility, thanks to the recessed, wall and floor versions.
- Retractable cable around the body to reduce clutter and maintain a discreet and orderly appearance after each use.



## SOLAR BOOST AND DYNAMIC LOAD MANAGEMENT

- Integration with photovoltaic systems to make the most of the green energy produced.
- Dynamic Load Management (DLM) is available on all products in the range, both as a single installation and in multiple configurations (Master/Slave).
- Master/Slave achievable with Ethernet connection.
- Product can be updated with new features thanks to the Over the air update technology.



## PREVENTS BLACKOUTS AND OFFERS OPTIMAL MANAGEMENT OF ELECTRIC VEHICLE CHARGING

- In multiple configurations (Master/Slave), loads can be dynamically managed across max. 30 wallboxes, via Ethernet communication, optimising charging and avoiding unwanted blackouts. Ideal for installation in contexts such as condominiums, businesses and semi-public or public land operations.
- At home, you can access your wallbox via WiFi connection, configure the DLM, and monitor your charging sessions.



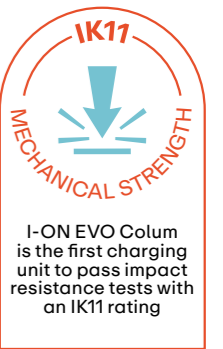
## REDUCED OPERATING COSTS

- myJOINON is a single app for managing and configuring the charging station which, for product versions intended for private residential settings and single-family homes, makes the station start-up simple, immediate and intuitive for the installer, and enables consumption monitoring by the owner.
- Simplified installation and extremely low running costs.



# The perfect design

AC charging unit for urban environments



Back-to-back installation



High-visibility LED



One-hand recharge feature



## REDUCED OPERATING COSTS

- Lower installation costs in both single and multiple charging point scenarios.
- Easy ordinary and extraordinary maintenance.
- Remote access for product configuration thanks to the on-board portal.



## CONTEMPORARY DESIGN SUITABLE FOR ANY URBAN CONTEXT

- A unique style, with an exclusive hexagonal shape, capable of integrating perfectly into any parking configuration, even in back-to-back configuration (two contact units, one behind the other), with a considerable saving on installation costs.
- Improved user experience with a 4.3" graphic display that allows better user interaction while charging the vehicle.
- Improved user interface with an on-board portal that can be accessed remotely, enabling better infrastructure management.
- High-efficiency RGB LEDs, even visible from a distance and from any side of the charging station.
- The large door at the front guarantees accessibility to all parts inside the column, for simple, convenient and cost-effective maintenance.



## SMART FEATURES AND PRODUCT UPDATABILITY

- Integration with photovoltaic systems to make the most of the green energy produced.
- Dynamic Load Management (DLM) is available on all products in the range, both as a single installation and in multiple configurations (Master/Slave).
- Master/Slave achievable with Ethernet connection (up to max. 15 charging stations).
- Product can be updated with new features thanks to the Over the Air update technology.



## YOUR BRAND ALWAYS AT THE FOREFRONT

- A fully customisable front panel, ensuring a harmonious match with the surrounding environment or with the graphic identity of the managing user.



# E-mobility available to everyone, anywhere

DC fast charging station



7" graphic display

LED strips visible from a distance



### SUITABLE FOR ANY CONTEXT

- Integrates seamlessly into urban and suburban settings.
- Easy installation and maintenance.
- Simple, intuitive interface with 7" or 21" graphic monitor and RGB LEDs that can be seen from a distance.
- Scalable: the 90 kW and 320 kW charging stations can be upgraded up to 180 kW and 480 kW respectively.



### MAXIMUM RELIABILITY GUARANTEED THROUGHOUT THE PRODUCT'S ENTIRE LIFE CYCLE

A high level of protection against bad weather conditions and impacts, always guaranteeing perfect energy supply.

- Highest degree of protection against dust and fluid penetration available on the market today: IP55.
- Also available with a contactless payment system.



### REDUCED OPERATING COSTS

- Guaranteed savings over the product's life cycle, thanks to unified management of ordinary and extraordinary maintenance.
- Remotely updateable.



# Fill up with energy

Universal electric vehicle charging cable



### THE FUTURE OF CHARGING IS GREEN

The plug and socket are partially made from Renycle®, a range of special technopolymers, obtained from recycled nylon with a much lower environmental impact than virgin material, calculated for each formulation using a LCA. As a result, it is ideal for projects where environmental sustainability is a key requirement.



### LONG LIFE FOR EVERY COMPONENT

All product components (pin, socket, plug) can be individually disassembled and reassembled, replaced in case of malfunction and, at the end of the cycle, recycled or disposed in accordance with current regulations.



### BRAND CUSTOMISATION

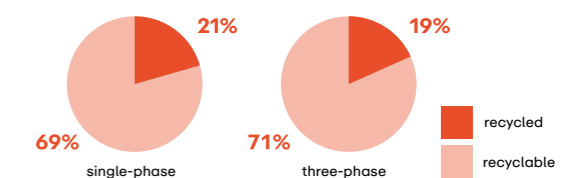
On request, the plug and socket can be customised with logos and graphics.



### CONSISTENT AESTHETICS

Plug and socket, fixing lanyard and joint handle are designed and produced in a unique style, bringing harmony and functionality to the product.

SOCKET + PLUG SYSTEM



**NOTE:** the residual share not shown in the charts refers to technical components not included in the calculation of recycled and recyclable materials.

### Customisable plugs and sockets



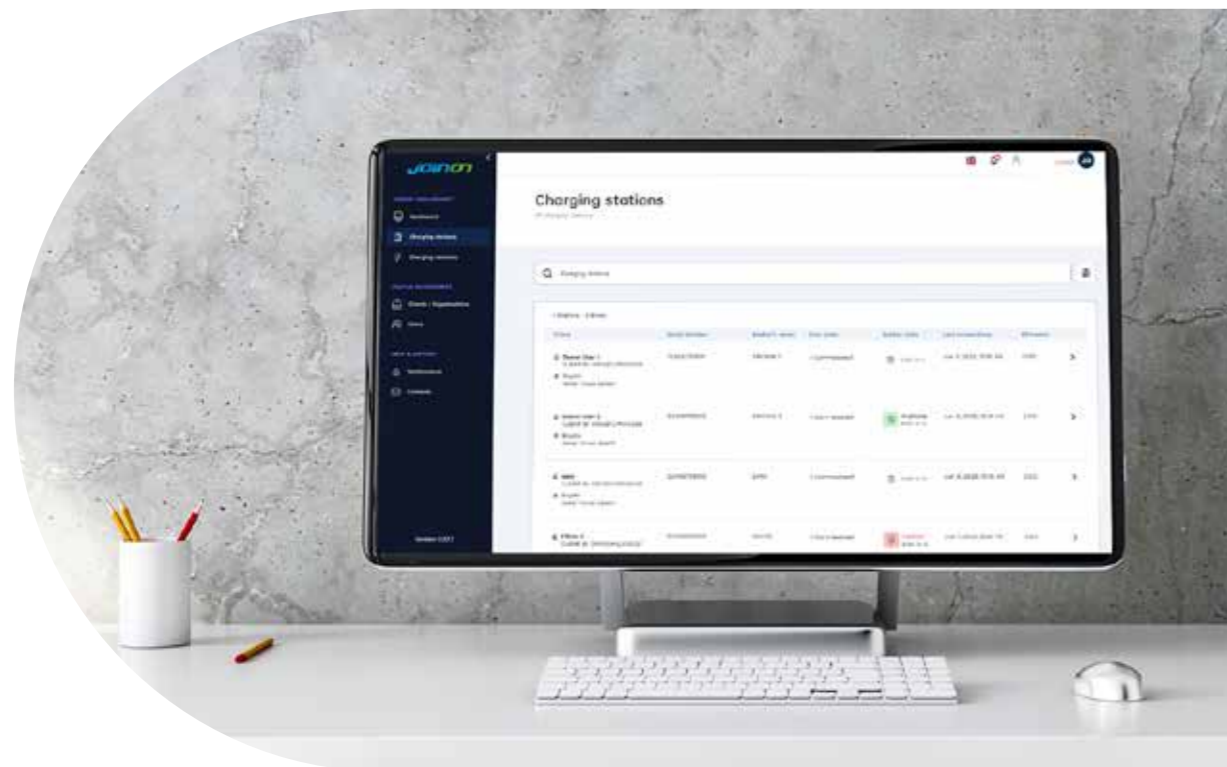
Convenient casing:  
68% recycled and  
100% recyclable



### Materials from recycled sources

# Management has never been smarter

The new **SMALL NET** platform is the ideal solution for all private or semi-public contexts that do not need to make charging stations visible to the public, but require a tool for supervision and control of their infrastructures. Thanks to Small Net, you can monitor charging status, download reports, manage RFID cards and control the load management functions to optimise system costs.



The **SMALL NET** platform is perfect for use in environments where access to charging stations is restricted and/or reserved. With SMALL NET, you can limit access to the charging stations to your fleet of EVs (Fleet Management), to company employees who own electric vehicles, to customers of a hospitality facility or to residents of a condominium charging network, maintaining control over access and costs.



## Key features of the **SMALL NET** platform

- Census of JOINON charging stations
- Definition of parking areas and controlled access to charging stations
- Charging station configuration
- Management and monitoring of users accessing charging infrastructures
- Address management
- Access to the platform through different profile levels
- Monitoring of consumption, data logging and export in EXCEL format

myJOINON  
app



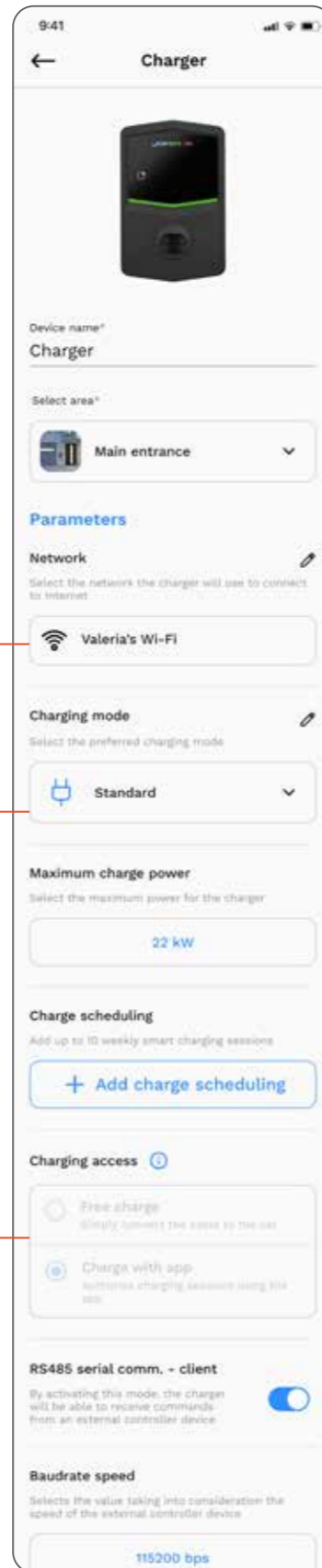
myJOINON



# Single app for installer and owner

The new **myJOINON** app, developed for private contexts (individual homes, apartment buildings and corporate fleets), allows you to monitor energy consumption and charging status in a simple and intuitive way, wherever you are. For open-access product versions intended for private residential environments and single-family homes, it also enables configuration of the charging station directly via the app.

## Configuration



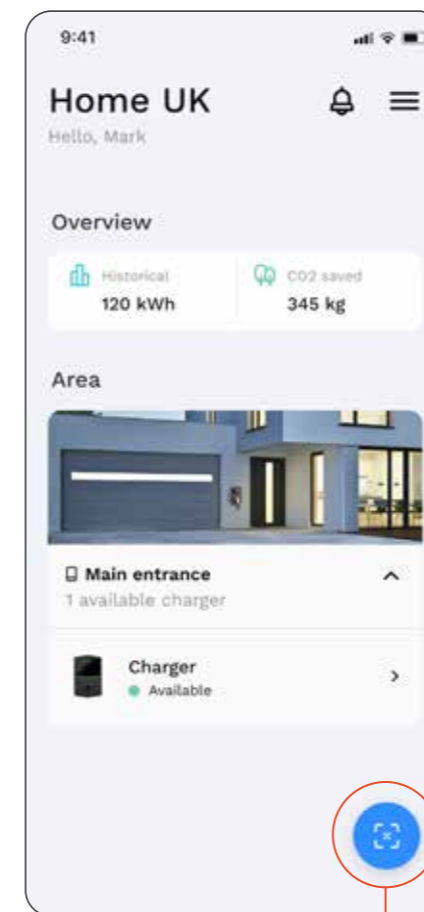
Configure network parameters

Select the operating mode

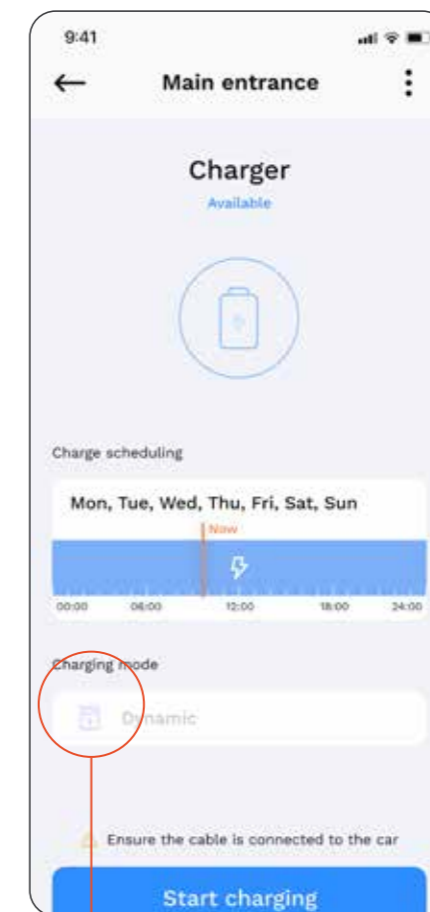
Choose the charging availability mode: free access, via app or with controlled access

## What you can do with the App

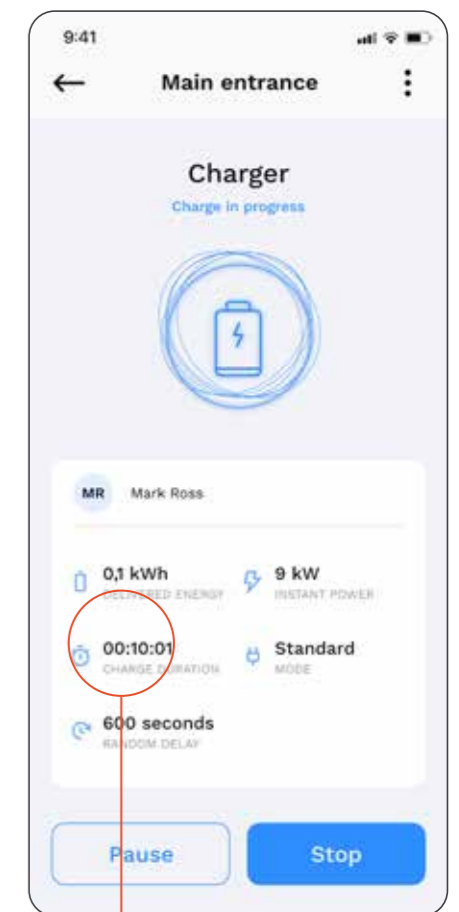
- Activate, monitor and manage the charging process
- Display the type of sockets available at the selected charging stations
- Display the charging history



Start charging by scanning the QR-Code on the charging station



Select the operating mode: standard (with limitation on power deliverable) or dynamic DLM (with intelligent load management algorithm)



Monitor the consumption of the charging session, suspend it if another appliance is switched on or simply end it

# 0% concerns, 100% support



The charging stations connected to the JOINON platform do not require special or frequent maintenance, thanks to the possibility of performing remote diagnostics via the management platform in the event of any charging problems. Any critical issues in the normal use of the product can therefore be

verified and resolved remotely, guaranteeing a simple, fast and convenient maintenance service. In addition, the firmware of the charging stations is constantly updated to the latest available version, ensuring optimal performance at all times and compatibility with the next generation of electric vehicles.



## Technical support

Standard maintenance and extra assistance are fundamental for ensuring the continuity of service of charging stations located in public environments and often subject to critical conditions of use.



## 24/7 Help desk

Available 24/7 for both the charge point manager and the EV Driver, with guaranteed availability of qualified personnel to remotely solve any faults/malfunctions for the EV Driver who is charging at the JOINON charging station.

# Configurator for dedicated electric vehicle charging solutions



JOINON Config is an online configurator available on the [gewiss.com](http://gewiss.com) website that can be used from any internet-connected device, with which you can configure and budget the cost of a home electrical system through a simple wizard guide. The configuration allows you to choose between different applications (sites to install charging infrastructures) and suggests the most suitable solution, which can then also be customised.

The user is guided through the choice and configuration of charging infrastructures through specific selection steps:

- Installation location
- Charging infrastructure equipment and technology
- Specific data of charging stations
- Accessories

Once configuration is complete, you will be able to see a complete list of materials for the system and export it in various formats.



Scan the QR Code and discover all the advantages of the online configurator for the choice and a quote on electric vehicle charging infrastructure



# Discover the advantages of JOINON

JOINON is a solution from GEWISS

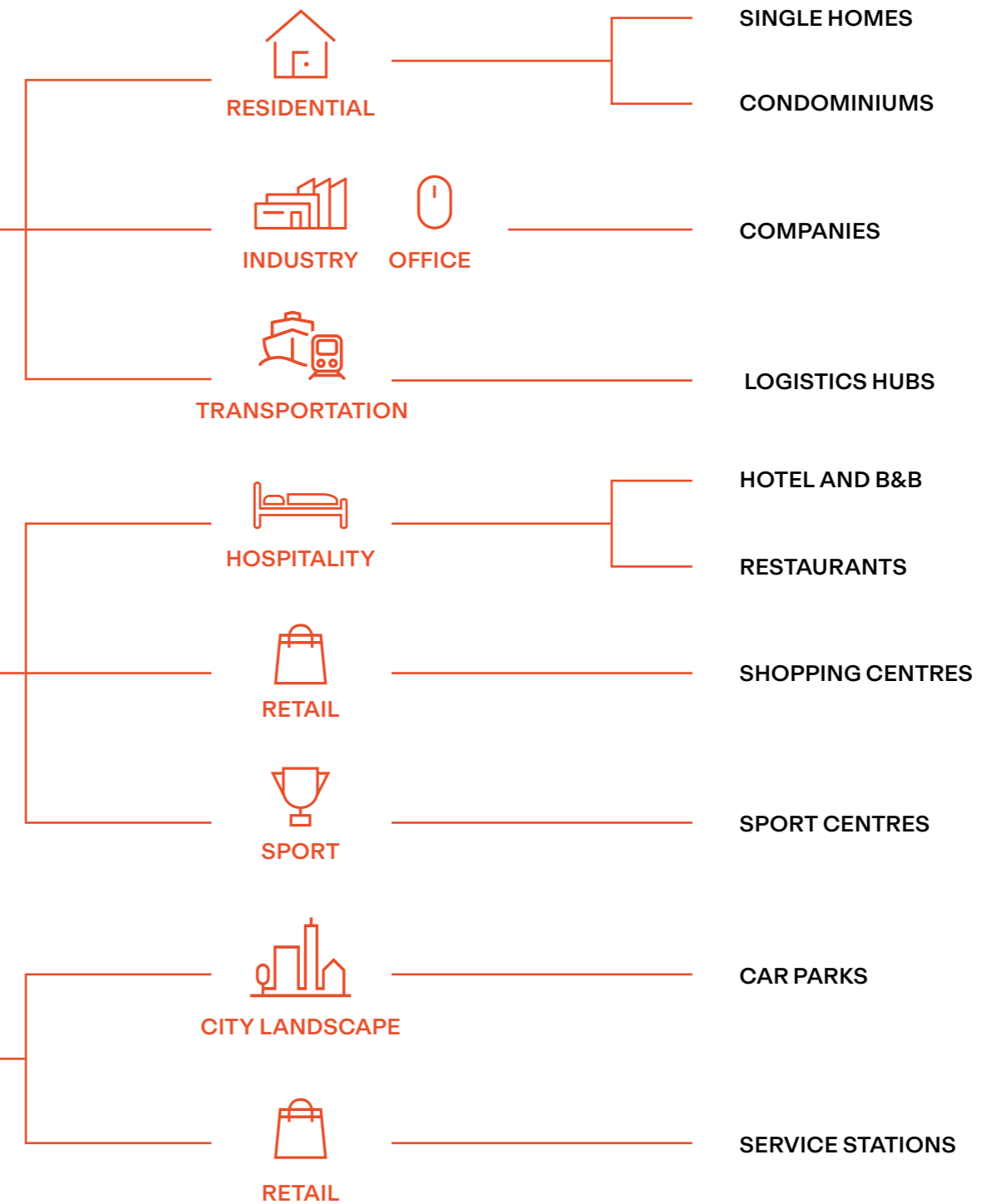
Much more than a simple offering of products for charging electric vehicles.

Private sector

Semi-public sector

Public sector

## Who is JOINON for?



Private residential  
sector

Charging your electric  
vehicle is now easy and  
inexpensive

## Single homes



Ideal for garages or private parking, JOINON offers a complete proposal, suitable for every need, to charge electric cars easily, reliably and efficiently.

Safe to use and easy to install, without excessive installation costs

Compatible with domestic PV systems

Easy to use, controlled by your smartphone

Device updated periodically and compatible with latest generation of electric vehicles

### Why choose JOINON?

Safe and easy installation

A system that is always connected and up to date thanks to OTA (Over-The-Air) technology

Intelligent energy management in your home, balancing loads and energy produced by photovoltaic panels and allocating the maximum power available to electric vehicles

Station always connected and controllable via myJOINON app

Control the wallbox from remote by connecting it to your WiFi, and use the free myJOINON app to efficiently manage your charging and save money by using off-peak energy

Start plug & charge or authorised access charging via myJOINON app

Private residential  
sector

For the condominium of  
the future geared towards  
a zero-impact ecosystem

## Condominiums



Condominium parking gets smart with JOINON solutions, with reliable, powerful, fast, easy to install, use and configure charging points that are compatible with all electric car models on the market today.

Accurate user consumption  
management and reporting

It is a solution that allows  
access to the charging  
service to condominium  
residents alone, without the  
need to distribute cards or  
keys (RFID or similar)

Monitors the operation of  
the charging stations

Controlled load  
management

Reduces management  
and maintenance costs

Guaranteed 24/7  
technical support

### Why choose JOINON?

Simplified installation in your  
condominium, allowing you to  
connect and control multiple  
wallboxes using the same  
ethernet network, via Master/  
Slave technology

One-click reporting: thanks to  
the special reporting features  
available on the JOINON  
platform you'll always be  
informed on consumption per  
condominium

Smart load management  
in your condominium,  
modulating the available  
power for each charging  
session. Leverages energy  
from photovoltaic panels to  
reduce off-take from the grid  
and save on utility bill costs

A system that is always  
connected and up to date  
thanks to OTA (Over-The-Air)  
technology

Simplified interface for the  
condominium administrator,  
who can register  
condominiums, inviting them  
to use the shared charging  
service by downloading the  
free myJOINON app

Private business  
sector

For a company that is ahead  
of the curve and wants to  
focus on environmental  
sustainability

## Companies



The added value of electric mobility, with the convenience of in-house charging.

Accurate reporting of  
employee consumption

An innovative solution that  
ensures employee-only  
access to the charging  
service

Monitors the operation of  
charging stations both in  
the company and at home

Controlled load  
management both in the  
company and at home

Reduces management  
and maintenance costs

Guaranteed 24/7  
technical support

### Why choose JOINON?

Simplified installation  
at your business,  
allowing you to  
connect and control  
multiple charging  
stations using the  
same ethernet  
network, via Master/  
Slave technology

Thanks to the special  
reporting features  
available on the  
JOINON platform  
you'll always be  
informed about  
each employee's  
consumption at home  
and in the company,  
facilitating reporting

Schedule home and  
in-house recharging  
of your fleet at times  
when energy costs  
less

Smart load  
management at  
home and in the  
company, modulating  
the available power  
for each charging  
session. Leverages  
energy from  
photovoltaic panels  
to reduce off-take  
from the grid and  
save on utility bill  
costs

24/7 support service,  
with continuous  
assistance from  
GEWISS in  
managing the  
charging solution

Charge your  
company car at home  
worry-free. With our  
wallbox, your certified  
charging will be sent  
immediately to the  
Fleet Manager

Simplified interface  
for the Fleet Manager,  
who can register  
employees  
and invite them to  
enjoy the shared  
charging service by  
downloading the free  
myJOINON app

A system that is  
always connected  
and up to date thanks  
to OTA (Over-The-Air)  
technology

Private business sector

For logistics hubs driving the transition toward electric mobility

## Logistics hubs



Charging solutions integrated into logistics depots to maximize operational efficiency, optimize energy costs, and intelligently manage drivers' dwell times.

Accurate and timely reporting of consumption for each transport vehicle

Longer cables with extendable arm systems, for safe and convenient charging of e-trucks

Solutions designed to ensure high reliability, reducing unexpected downtime and simplifying operations

A flexible and scalable power solution capable of adapting to the fleet's evolution

Optimization of operating and maintenance costs

Guaranteed 24/7 technical support

### Why choose JOINON?

Comprehensive support at every stage of the project: from selecting the most suitable solution to defining a fully engineered, ready-to-install charging system

Dedicated reporting available on the JOINON platform, enabling accurate monitoring of each vehicle's consumption and simplifying cost tracking

Interoperability with international management platforms

A system that is always connected and up to date thanks to OTA (Over-The-Air) technology

A single range and a single partner, enabling seamless scaling from entry-level power to high-performance solutions without changing technology or supplier

24/7 support service, with continuous assistance from GEWISS in managing the charging solution

Semi-public  
sector

Offer an exclusive service  
to a growing potential  
customer base

## Hotels and B&Bs



Your accommodation facility, their preferred destination.

Enable access to a  
customer-only charging  
service

Monitors the operation of  
the charging stations

Possibility to start or stop  
charging from your desk

Guaranteed product  
reliability

Guaranteed 24/7  
technical support

### Why choose JOINON?

Adaptable to your needs with  
a compact 30 kW DC wallbox,  
or up to 22 kW in AC, with wall  
or floor mountable charging  
infrastructure connectable  
via Ethernet in Master/Slave  
mode

Smart load management that  
lets you regulate the power  
available for each charging  
session

Manage access to the  
charging service from  
your front office by giving  
your guest an RFID card or  
ensuring access to charging  
via the free myJOINON app.  
Use the JOINON platform  
to control your guest's  
consumption

A system that is always  
connected and up to date  
thanks to OTA (Over-The-Air)  
technology

24/7 support service, with  
continuous assistance from  
GEWISS in managing the  
charging solution

Semi-public  
sector

EV Drivers are a growing customer segment. Attract them with an exclusive service



## Restaurants



Add JOINON solutions to your menu and you'll win EV Drivers and their electric cars.

Guarantees product visibility on e-mobility application maps

Reliable and always connected product

Guaranteed 24/7 technical support

Simple to use, with need for waiting staff to get involved

Reliable payment and reporting management

### Why choose JOINON?

- Reliable and durable products (IP55 and IK10/IK11)
- Easy to maintain and always up to date
- Connect the products based on your requirements, choosing between Ethernet, WiFi or 4G connectivity solutions
- Secure payment and reporting management via the JOINON platform
- Interoperability with international management platforms
- Graphics and LED monitors make your charging experience simpler
- Remote and on-site technical support with qualified service partners present in the local area
- Solutions that can be adapted to your needs of your facility, choosing from slow charging (AC) or fast charging (DC) products

Semi-public  
sector

The number of electric car owners is growing daily. Attract them with an exclusive service

## Shopping centres



Shop free from stress, while JOINON solutions restore power to your vehicle.

Guarantees product visibility on e-mobility application maps

Reliable and always connected product

Guaranteed 24/7 technical support

Slow charging (AC) and fast charging (DC) solutions to meet customer needs

Reliable payment and reporting management

### Why choose JOINON?

Reliable and durable products (IP55 and IK10/IK11)

Easy to maintain and always up to date

Connect the products based on your requirements, choosing between Ethernet, WiFi or 4G connectivity solutions

Secure payment and reporting management via the JOINON platform

Interoperability with international management platforms

Solutions that can be adapted to your needs of your facility, choosing from slow charging (AC) or fast charging (DC) products

Remote and on-site technical support with qualified service partners present in the local area

Fast charging (DC) products, scalable in terms of rated power

Semi-public  
sector

The sport attracts  
crowds of fans. Satisfy  
their mobility needs with  
an exclusive charging  
service

## Sport centres



Take part in sporting events with complete peace of mind, JOINON solutions will take care of charging your vehicle.

Guarantees product  
visibility on e-mobility  
application maps

Reliable and always  
connected product

Guaranteed 24/7  
technical support

Slow charging (AC) and  
fast charging (DC) solutions  
to meet customer needs

Reliable payment and  
reporting management

### Why choose JOINON?

Reliable and durable  
products (IP55 and  
IK10/IK11)

Easy to maintain and  
always up to date

Connect the  
products based on  
your requirements,  
choosing between  
Ethernet, WiFi or 4G  
connectivity solutions

Secure payment  
and reporting  
management via the  
JOINON platform

Interoperability  
with international  
management  
platforms

Solutions that can  
be adapted to your  
needs of your facility,  
choosing from slow  
charging (AC) or  
fast charging (DC)  
products

Remote and on-site  
technical support  
with qualified service  
partners present in  
the local area

Fast charging (DC)  
products, scalable in  
terms of rated power

Differentiate and increase your revenue by providing EV owners with the service they need

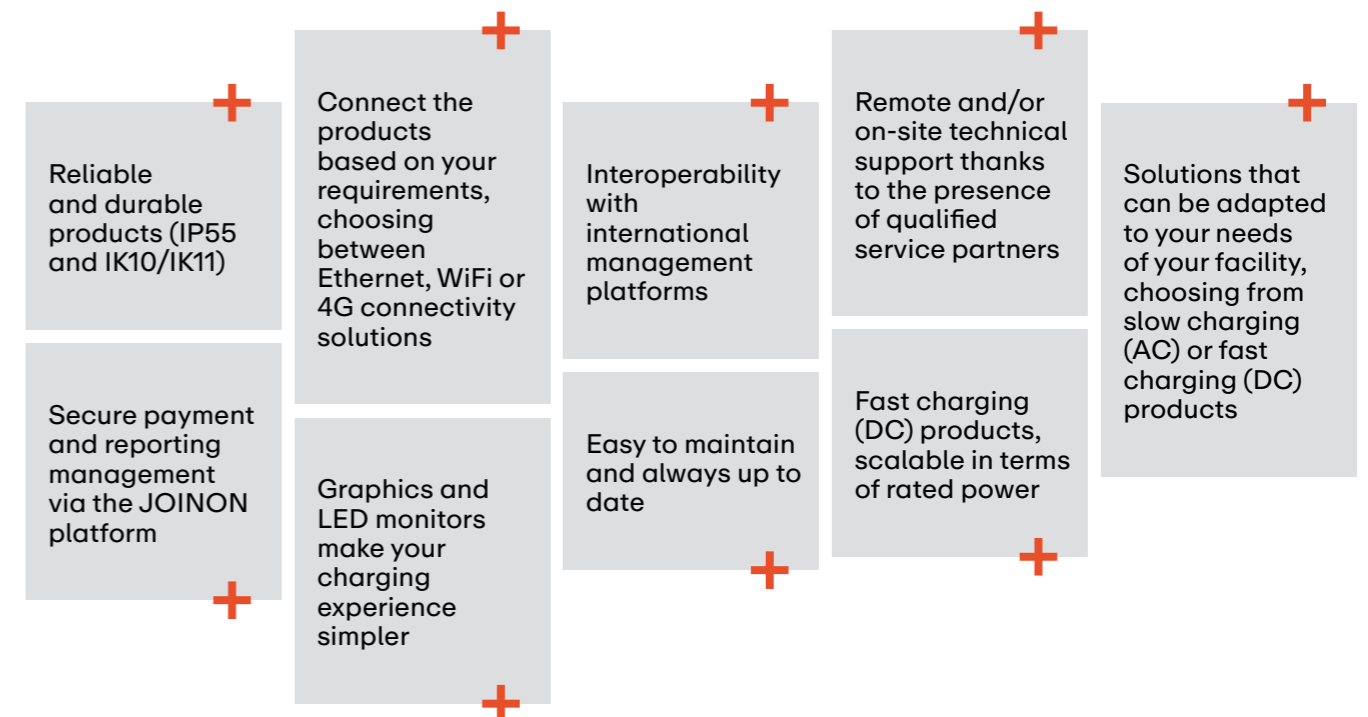
# Public car parks



An exclusive and privileged parking area for all EV Drivers.

- Leverages the energy produced by PV panels to recharge customers' electric cars
- Differentiates slow charge and fast charge rates
- Guaranteed 24/7 technical support
- Monitors charging unit operations, starting or ending active sessions
- Ensures product visibility on e-mobility application maps
- Reliable and always connected product

## Why choose JOINON?



Public sector

Attract and retain new customers. Grow your business with every burst of energy thanks to JOINON solutions

## Service stations



A varied and wide-ranging solution that offers an exclusive charging service for electric vehicles.

Monitors charging unit operations, starting or ending active sessions

Ensures product visibility on e-mobility application maps

A reliable, always-connected product with no need for staff on duty

Guaranteed 24/7 technical support

### Why choose JOINON?

Reliable and durable products (IP55 and IK10)

Connect the products based on your requirements, choosing between Ethernet, WiFi or 4G connectivity solutions

Remote and/or on-site technical support thanks to the presence of qualified service partners

Easy to maintain and always up to date

Secure payment and reporting management via the JOINON platform

Graphics and LED monitors make your charging experience simpler

Interoperability with international management platforms

Fast charging (DC) products, scalable in terms of rated power

Private residential sector

Private business sector

Semi-public sector

Public sector

SINGLE HOMES CONDOMINIUMS

COMPANIES LOGISTICS HUBS

HOTEL RESTAURANTS SHOPPING CENTRES SPORT CENTRES

CAR PARKS SERVICE STATIONS



i-con<sup>evo</sup>



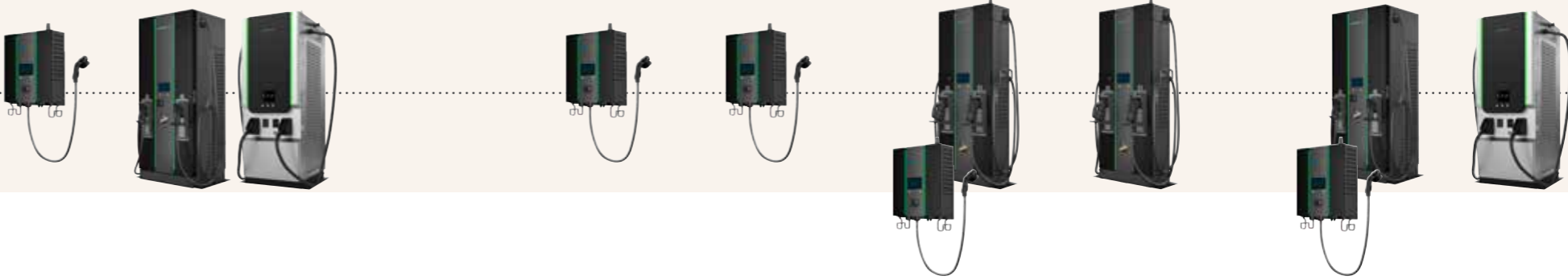
i-on<sup>evo</sup>



i-cord



i-fast



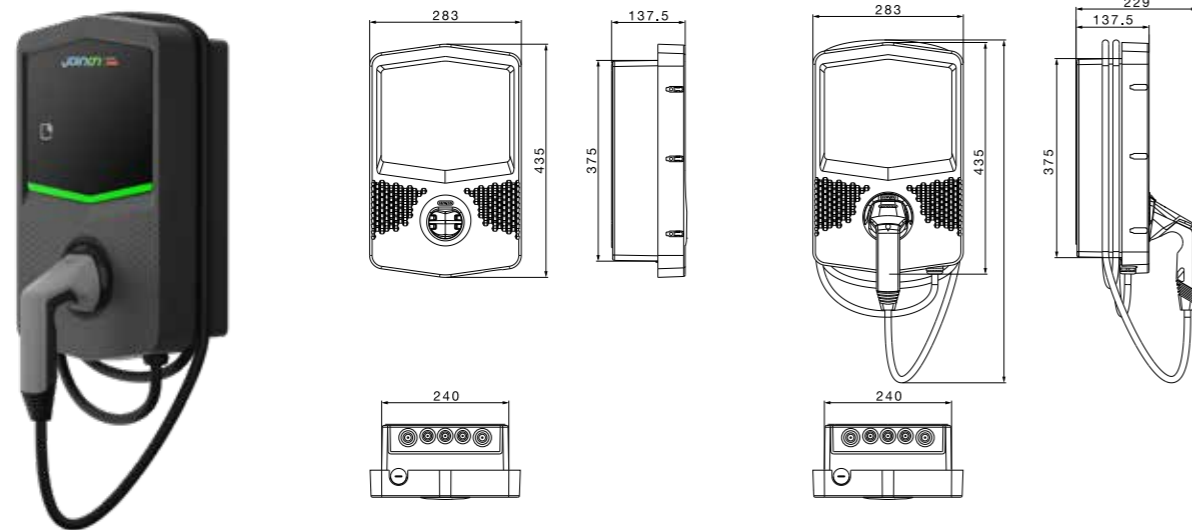
# Technical specifications

Electric innovation at your fingertips:  
**Safe, connected, simple.**



# I-CON EVO

	Free access or via app	Free access or via app	With controlled access
<b>Charging mode</b>	Mode 3	Mode 3	Mode 3
<b>Charging sockets</b>	Mobile connector (5 m) / Type 2 vandal-proof fixed socket	Mobile connector (5 m) / Type 2 vandal-proof fixed socket	Mobile connector (5 m) / Type 2 vandal-proof fixed socket
<b>Shutter</b>	(IPxxD)	(IPxxD)	(IPxxD)
<b>Electrical specifications</b>			
<b>Rated voltage</b>	230 V / 400 V	230 V / 400 V	230 V / 400 V
<b>Total maximum current</b>	Max 32 A	Max 32 A	Max 32 A
<b>Maximum power</b>	Up to 22 kW	Up to 22 kW	Up to 22 kW
<b>User protection</b>	DC Leakage 6 mA	DC Leakage 6 mA	DC Leakage 6 mA
<b>Energy meter</b>	Yes	Yes	Yes, MID type
<b>Functional features</b>			
<b>Connectivity</b>	WiFi	WiFi / Ethernet	WiFi / Ethernet
<b>Communication</b>	OCPP 1.6J	OCPP 1.6J	OCPP 1.6J
<b>Load management</b>	DLM with Solar Boost / via cloud through OCPP	DLM with Solar Boost / via cloud through OCPP	DLM with Solar Boost / via cloud through OCPP
<b>Charging activation</b>	Free / App	Free / App	App / RFID
<b>Human interface</b>	LED	LED	LED
<b>Master/Slave</b>	-	Yes	Yes
<b>Over The Air updates</b>	Yes	Yes	Yes
<b>Programmable remote contact</b>	Yes	Yes	Yes
<b>Mechanical specifications</b>			
<b>Installation type</b>	Wall- / Flush- / Floor-mounting	Wall- / Flush- / Floor-mounting	Wall- / Flush- / Floor-mounting
<b>Material</b>	Thermoplastic	Thermoplastic	Thermoplastic
<b>Protection rating</b>	IP55	IP55	IP55
<b>Impact protection</b>	IK11	IK11	IK11
<b>Operating temperature</b>	-25 °C / +55 °C	-25 °C / +55 °C	-25 °C / +55 °C



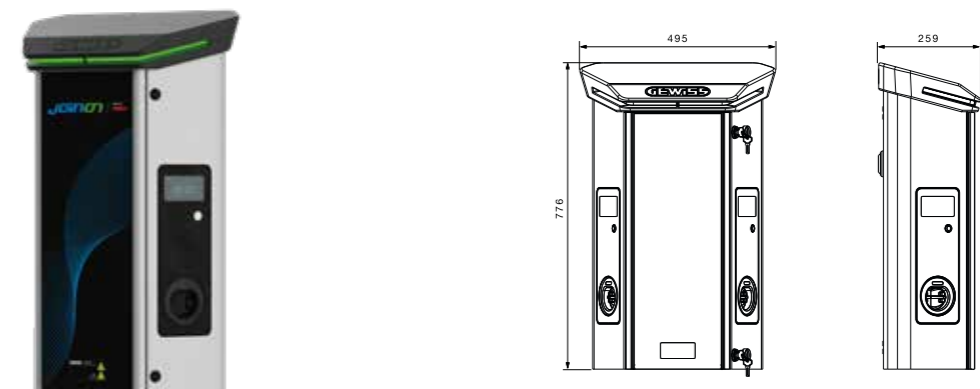
# I-ON EVO COLUMN

	With controlled access	With controlled access
<b>Charging mode</b>	Mode 3	Mode 3
<b>Charging sockets</b>	2 x Type 2 vandal-proof fixed socket / Mobile connector (4 m spiral cable)	2 x Type 2 vandal-proof fixed socket / Mobile connector (4 m spiral cable)
<b>Shutter</b>	(IPxxD)	(IPxxD)
<b>Electrical specifications</b>		
<b>Rated voltage</b>	230 V / 400 V	230 V / 400 V
<b>Total maximum current</b>	Max 64 A	Max 64 A
<b>Maximum power</b>	2x7.4 kW / 2x11 kW / 2x22 kW	2x7.4 kW / 2x22 kW
<b>User protection</b>	RCCB type A + MCB + DC Leakage 6 mA	RCCB type A + MCB + DC Leakage 6 mA
<b>Energy meter</b>	Yes	Yes, MID type
<b>Functional features</b>		
<b>Connectivity</b>	WiFi / Ethernet	WiFi / Ethernet
<b>Communication</b>	OCPP 1.6J	OCPP 1.6J
<b>Load management</b>	DLM with Solar Boost / via cloud through OCPP	DLM with Solar Boost / via cloud through OCPP
<b>Charging activation</b>	App / RFID	App / RFID
<b>Human interface</b>	4.3" graphic display	4.3" graphic display
<b>Master/Slave</b>	Yes	Yes
<b>Over The Air updates</b>	Yes	Yes
<b>Programmable remote contact</b>	Yes	Yes
<b>Mechanical specifications</b>		
<b>Installation type</b>	Floor-mounting	Floor-mounting
<b>Material</b>	Steel sheet	Steel sheet
<b>Protection rating</b>	IP55	IP55
<b>Impact protection</b>	IK11	IK11
<b>Operating temperature</b>	-25 °C / +55 °C	-25 °C / +55 °C



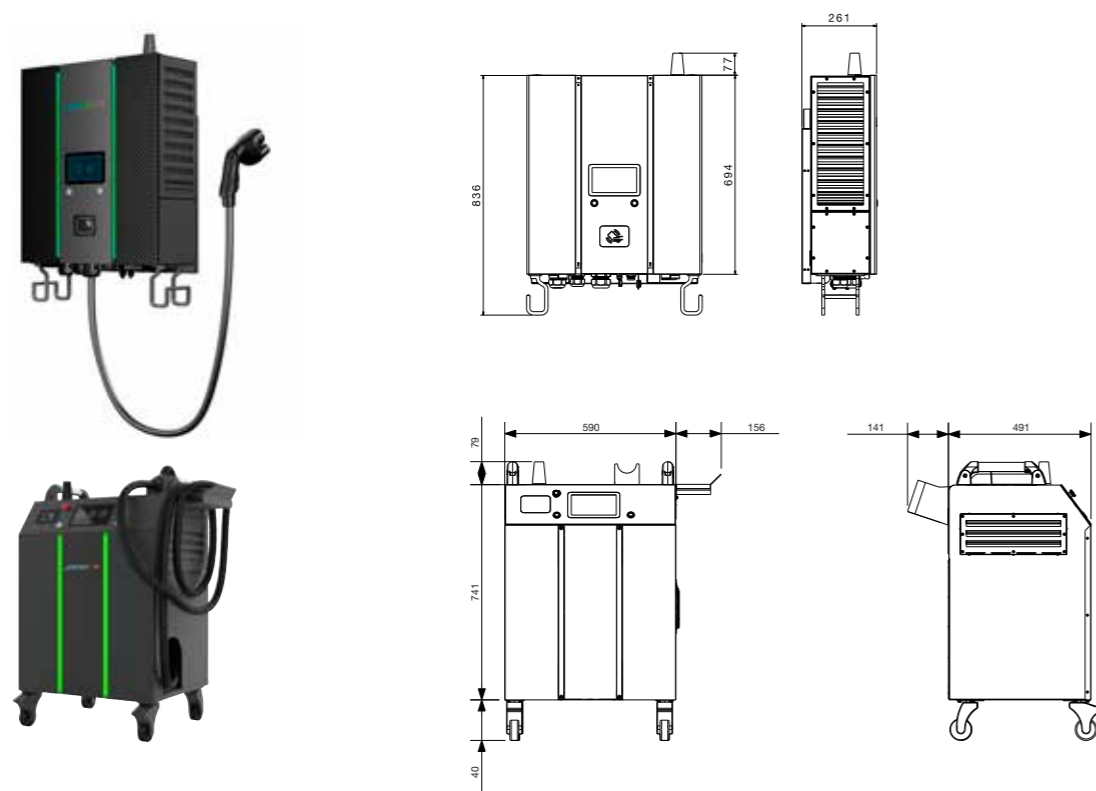
# I-ON EVO WALLBOX

	With controlled access	With controlled access
<b>Charging mode</b>	Mode 3	Mode 3
<b>Charging sockets</b>	2 x Type 2 vandal-proof fixed socket	2 x Type 2 vandal-proof fixed socket
<b>Shutter</b>	(IPxxD)	(IPxxD)
<b>Electrical specifications</b>		
<b>Rated voltage</b>	230 V / 400 V	230 V / 400 V
<b>Total maximum current</b>	Max 64 A	Max 64 A
<b>Maximum power</b>	2x7.4 kW / 2x22 kW	2x7.4 kW / 2x22 kW
<b>User protection</b>	RCBO type A + DC Leakage 6 mA	RCBO type A + DC Leakage 6 mA
<b>Energy meter</b>	Yes	Yes, MID type
<b>Functional features</b>		
<b>Connectivity</b>	WiFi / Ethernet	WiFi / Ethernet
<b>Communication</b>	OCPP 1.6J	OCPP 1.6J
<b>Load management</b>	DLM with Solar Boost / via cloud through OCPP	DLM with Solar Boost / via cloud through OCPP
<b>Charging activation</b>	App / RFID	App / RFID
<b>Human interface</b>	4.3" graphic display	4.3" graphic display
<b>Master/Slave</b>	Yes	Yes
<b>Over The Air updates</b>	Yes	Yes
<b>Programmable remote contact</b>	Yes	Yes
<b>Mechanical specifications</b>		
<b>Installation type</b>	Wall- / Pole-mounting	Wall- / Pole-mounting
<b>Material</b>	Steel sheet	Steel sheet
<b>Protection rating</b>	IP55	IP55
<b>Impact protection</b>	IK10	IK10
<b>Operating temperature</b>	-25 °C / +55 °C	-25 °C / +55 °C



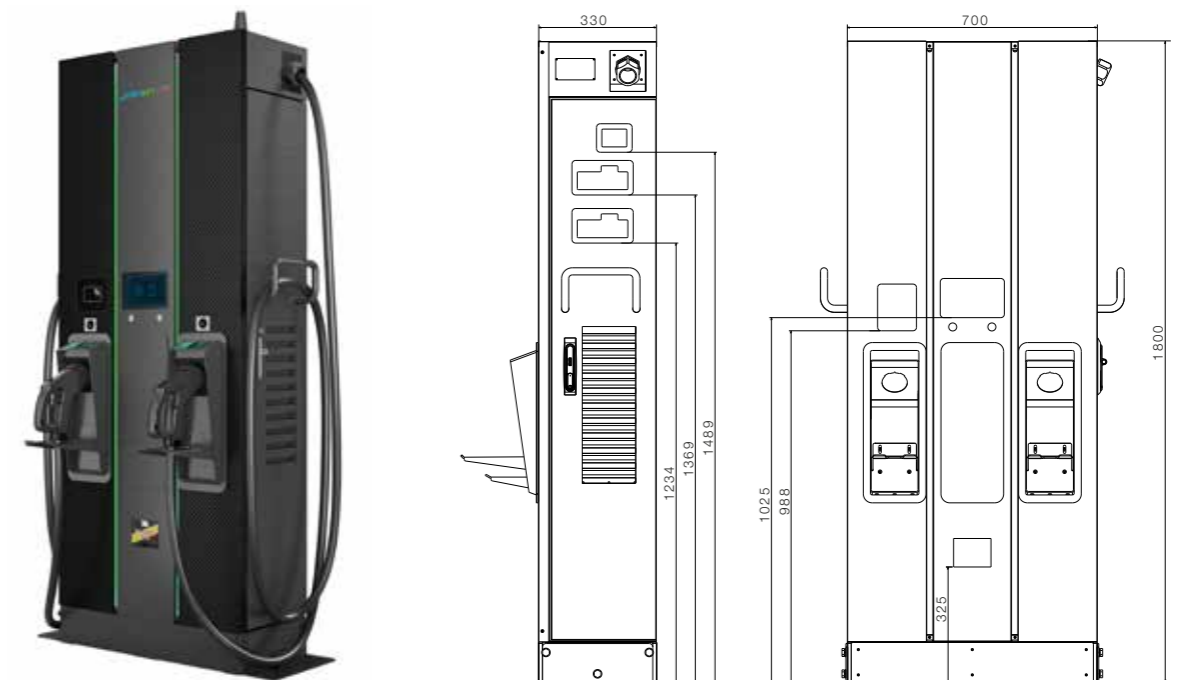
# I-FAST WALLBOX / MOVABLE

	Wallbox		Movable
<b>Charging mode</b>	Mode 4	Mode 4	Mode 4
<b>Charging sockets</b>	1 x CCS2 mobile connector	1 x CCS2 + 1 x CHAdeMO mobile connectors	1 x CCS2 mobile connector
<b>Electrical specifications</b>			
<b>AC rated input voltage</b>	3φ 380 ÷ 415 V ac	3φ 380 ÷ 415 V ac	3φ 380 ÷ 415 V ac
<b>Maximum AC input current</b>	3φ 47 A	3φ 47 A	3φ 47 A
<b>Output voltage range</b>	CCS2: 150 ÷ 950 V dc	CCS2: 150 ÷ 950 V dc CHAdeMO: 150 ÷ 500 V dc	CCS2: 150 ÷ 950 V dc
<b>Maximum output current</b>	CCS2: 80 A	CCS2: 80 A / CHAdeMO: 60 A	CCS2: 80 A
<b>Maximum output power</b>	30 kW	30 kW	30 kW
<b>Power factor</b>	> 0.99	> 0.99	> 0.99
<b>Output protection</b>	SCP, OCP, OVP, LVP, OTP, IMD	SCP, OCP, OVP, LVP, OTP, IMD	SCP, OCP, OVP, LVP, OTP, IMD
<b>Energy meter</b>	Yes, integrated DC Meter	Yes, integrated DC Meter	Yes, integrated DC Meter
<b>Functional features</b>			
<b>Connectivity</b>	Ethernet, WiFi and 4G	Ethernet, WiFi and 4G	Ethernet, WiFi and 4G
<b>Communication</b>	CAN BUS / RS485 / OCPP 1.6J / OCPP 2.0.1	CAN BUS / RS485 / OCPP 1.6J / OCPP 2.0.1	CAN BUS / RS485 / OCPP 1.6J / OCPP 2.0.1
<b>Load management</b>	Via cloud with OCPP	Via cloud with OCPP	Via cloud with OCPP
<b>Charging activation</b>	App / RFID / QR Code	App / RFID / QR Code	App / RFID / QR Code
<b>Contactless payments solution</b>	-	-	-
<b>Human interface</b>	7" graphic display	7" graphic display	7" graphic display
<b>Mechanical specifications</b>			
<b>Installation type</b>	Wall- / Floor-mounting	Wall- / Floor-mounting	Mobile
<b>Materials</b>	Painted sheet steel	Painted sheet steel	Painted sheet steel
<b>Cable length</b>	4.5 m	4.5 m	4.5 m
<b>Protection rating</b>	IP55	IP55	IP55
<b>Impact protection</b>	IK10	IK10	IK10
<b>Operating temperature</b>	-30 °C / +50 °C	-30 °C / +50 °C	-30 °C / +50 °C



# I-FAST COMPACT

	Compact		
<b>Charging mode</b>	Mode 4	Mode 4	Mode 4
<b>Charging sockets</b>	2 x CCS2 mobile connectors	1 x CCS2 + 1 x CHAdeMO mobile connectors	1 x CCS2 + 1 x GBT mobile connectors
<b>Electrical specifications</b>			
<b>AC rated input voltage</b>	3φ 380 ÷ 415 V ac	3φ 380 ÷ 415 V ac	3φ 380 ÷ 415 V ac
<b>Maximum AC input current</b>	3φ 115 A	3φ 115 A	3φ 115 A
<b>Output voltage range</b>	CCS2: 150 ÷ 950 V dc	CCS2: 150 ÷ 950 V dc CHAdeMO: 150 ÷ 500 V dc	CCS2: 150 ÷ 950 V dc GBT: 150 ÷ 750 V dc
<b>Maximum output current</b>	CCS2: 150 A	CCS2: 150 A / CHAdeMO: 120 A	CCS2: 150 A / GBT: 120 A
<b>Maximum output power</b>	60 kW	60 kW	60 kW
<b>Power factor</b>	> 0.99	> 0.99	> 0.99
<b>Output protection</b>	SCP, OCP, OVP, LVP, OTP, IMD	SCP, OCP, OVP, LVP, OTP, IMD	SCP, OCP, OVP, LVP, OTP, IMD
<b>Energy meter</b>	Yes, integrated DC Meter (DC PTB Meter option)	Yes, integrated DC Meter (DC PTB Meter option)	Yes, integrated DC Meter (DC PTB Meter option)
<b>Functional features</b>			
<b>Connectivity</b>	Ethernet, WiFi and 4G	Ethernet, WiFi and 4G	Ethernet, WiFi and 4G
<b>Communication</b>	CAN BUS / RS485 / OCPP 1.6J / OCPP 2.0.1	CAN BUS / RS485 / OCPP 1.6J / OCPP 2.0.1	CAN BUS / RS485 / OCPP 1.6J / OCPP 2.0.1
<b>Load management</b>	Master&Slave / OCPP	Master&Slave / OCPP	Master&Slave / OCPP
<b>Charging activation</b>	App / RFID / QR Code	App / RFID / QR Code	App / RFID / QR Code
<b>Contactless payments solution</b>	Optional	Optional	Optional
<b>Human interface</b>	7" graphic display	7" graphic display	7" graphic display
<b>Mechanical specifications</b>			
<b>Installation type</b>	Floor-mounting	Floor-mounting	Floor-mounting
<b>Materials</b>	Painted sheet steel	Painted sheet steel	Painted sheet steel
<b>Cable length</b>	4.5 m (option 7 m)	4.5 m (option 7 m)	4.5 m (option 7 m)
<b>Protection rating</b>	IP55	IP55	IP55
<b>Impact protection</b>	IK10	IK10	IK10
<b>Operating temperature</b>	-30 °C / +50 °C	-30 °C / +50 °C	-30 °C / +50 °C



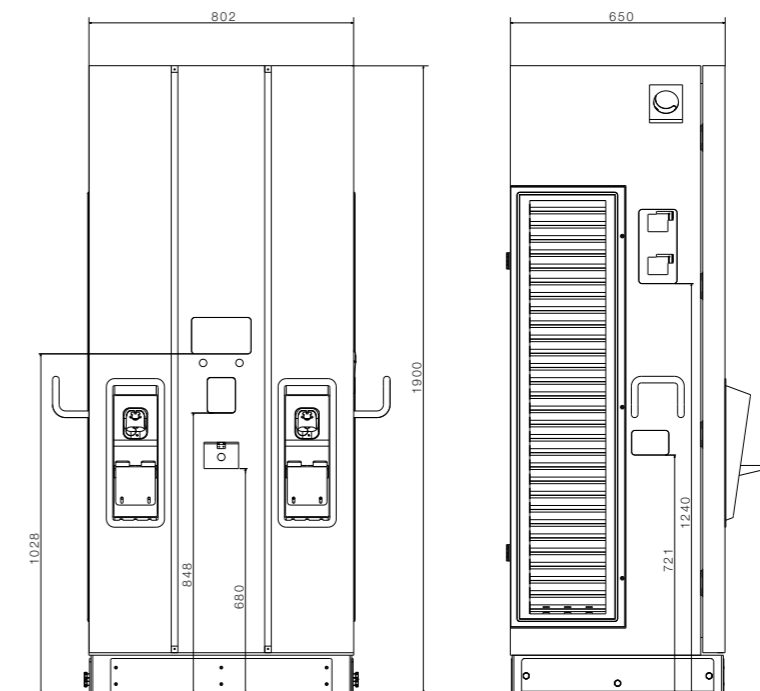
# I-FAST STATION

	Station	
	Mode 4	Mode 4
<b>Charging mode</b>	Mode 4	Mode 4
<b>Charging sockets</b>	2 x CCS2 mobile connectors	2 x CCS2 mobile connectors
<b>Electrical specifications</b>		
<b>AC rated input voltage</b>	3φ 380 ÷ 415 V ac	3φ 380 ÷ 415 V ac
<b>Maximum AC input current</b>	3φ 173 A	3φ 230 A
<b>Output voltage range</b>	CCS2: 150 ÷ 950 V dc	CCS2: 150 ÷ 950 V dc
<b>Maximum output current</b>	CCS2: 250 A	CCS2: 250 A
<b>Maximum output power</b>	90 kW	120 kW
<b>Power factor</b>	> 0.99	> 0.99
<b>Output protection</b>	SCP, OCP, OVP, LVP, OTP, IMD	SCP, OCP, OVP, LVP, OTP, IMD
<b>Energy meter</b>	Yes, integrated DC Meter (DC PTB Meter option)	Yes, integrated DC Meter (DC PTB Meter option)
<b>Functional features</b>		
<b>Connectivity</b>	Ethernet, WiFi and 4G	Ethernet, WiFi and 4G
<b>Communication</b>	CAN BUS / RS485 / OCPP 1.6J / OCPP 2.0.1	CAN BUS / RS485 / OCPP 1.6J / OCPP 2.0.1
<b>Load management</b>	Master&Slave / OCPP	Master&Slave / OCPP
<b>Charging activation</b>	App / RFID / QR Code	App / RFID / QR Code
<b>Contactless payments solution</b>	Optional	Optional
<b>Human interface</b>	7" graphic display	7" graphic display
<b>Mechanical specifications</b>		
<b>Installation type</b>	Floor-mounting	Floor-mounting
<b>Materials</b>	Painted sheet steel	Painted sheet steel
<b>Cable length</b>	4.5 m (option 7 m or 9.5 m)	4.5 m (option 7 m or 9.5 m)
<b>Protection rating</b>	IP55	IP55
<b>Impact protection</b>	IK10	IK10
<b>Operating temperature</b>	-30 °C / +50 °C	-30 °C / +50 °C

	Station	
	Mode 4	Mode 4
<b>Charging mode</b>	Mode 4	Mode 4
<b>Charging sockets</b>	2 x CCS2 mobile connectors	2 x CCS2 mobile connectors
<b>Electrical specifications</b>		
<b>AC rated input voltage</b>	3φ 380 ÷ 415 V ac	3φ 380 ÷ 415 V ac
<b>Maximum AC input current</b>	3φ 289 A	3φ 345 A
<b>Output voltage range</b>	CCS2: 150 ÷ 950 V dc	CCS2: 150 ÷ 950 V dc
<b>Maximum output current</b>	CCS2: 250 A (option 300 A)	CCS2: 250 A (option 300 A)
<b>Maximum output power</b>	150 kW	180 kW
<b>Power factor</b>	> 0.99	> 0.99
<b>Output protection</b>	SCP, OCP, OVP, LVP, OTP, IMD	SCP, OCP, OVP, LVP, OTP, IMD
<b>Energy meter</b>	Yes, integrated DC Meter (DC PTB Meter option)	Yes, integrated DC Meter (DC PTB Meter option)
<b>Functional features</b>		
<b>Connectivity</b>	Ethernet, WiFi and 4G	Ethernet, WiFi and 4G
<b>Communication</b>	CAN BUS / RS485 / OCPP 1.6J / OCPP 2.0.1	CAN BUS / RS485 / OCPP 1.6J / OCPP 2.0.1
<b>Load management</b>	Master&Slave / OCPP	Master&Slave / OCPP
<b>Charging activation</b>	App / RFID / QR Code	App / RFID / QR Code
<b>Contactless payments solution</b>	Optional	Optional
<b>Human interface</b>	7" graphic display	7" graphic display
<b>Mechanical specifications</b>		
<b>Installation type</b>	Floor-mounting	Floor-mounting
<b>Materials</b>	Painted sheet steel	Painted sheet steel
<b>Cable length</b>	4.5 m (option 7 m or 9.5 m)	4.5 m (option 7 m or 9.5 m)
<b>Protection rating</b>	IP55	IP55
<b>Impact protection</b>	IK10	IK10
<b>Operating temperature</b>	-30 °C / +50 °C	-30 °C / +50 °C



For any specific requests, please contact the sales service area.



# I-FAST STATION

	Station	
Charging mode	Mode 4	Mode 4
Charging sockets	1 x CCS2 + 1 x CHAdeMO mobile connectors	1 x CCS2 + 1 x CHAdeMO mobile connectors
<b>Electrical specifications</b>		
AC rated input voltage	3φ 380 ÷ 415 V ac	3φ 380 ÷ 415 V ac
Maximum AC input current	3φ 173 A	3φ 230 A
Output voltage range	CCS2: 150 ÷ 950 V dc / CHAdeMO: 150 ÷ 500 V dc	CCS2: 150 ÷ 950 V dc / CHAdeMO: 150 ÷ 500 V dc
Maximum output current	CCS2: 250 A / CHAdeMO: 120 A	CCS2: 250 A / CHAdeMO: 120 A
Maximum output power	90 kW	120 kW
Power factor	> 0.99	> 0.99
Output protection	SCP, OCP, OVP, LVP, OTP, IMD	SCP, OCP, OVP, LVP, OTP, IMD
Energy meter	Yes, integrated DC Meter (DC PTB Meter option)	Yes, integrated DC Meter (DC PTB Meter option)
<b>Functional features</b>		
Connectivity	Ethernet, WiFi and 4G	Ethernet, WiFi and 4G
Communication	CAN BUS / RS485 / OCPP 1.6J / OCPP 2.0.1	CAN BUS / RS485 / OCPP 1.6J / OCPP 2.0.1
Load management	Master&Slave / OCPP	Master&Slave / OCPP
Charging activation	App / RFID / QR Code	App / RFID / QR Code
Contactless payments solution	Optional	Optional
Human interface	7" graphic display	7" graphic display
<b>Mechanical specifications</b>		
Installation type	Floor-mounting	Floor-mounting
Materials	Painted sheet steel	Painted sheet steel
Cable length	4.5 m (option 7 m or 9.5 m)	4.5 m (option 7 m or 9.5 m)
Protection rating	IP55	IP55
Impact protection	IK10	IK10
Operating temperature	-30 °C / +50 °C	-30 °C / +50 °C

	Station	
Charging mode	Mode 4	Mode 4
Charging sockets	1 x CCS2 + 1 x CHAdeMO mobile connectors	1 x CCS2 + 1 x CHAdeMO mobile connectors
<b>Electrical specifications</b>		
AC rated input voltage	3φ 380 ÷ 415 V ac	3φ 380 ÷ 415 V ac
Maximum AC input current	3φ 289 A	3φ 345 A
Output voltage range	CCS2: 150 ÷ 950 V dc / CHAdeMO: 150 ÷ 500 V dc	CCS2: 150 ÷ 950 V dc / CHAdeMO: 150 ÷ 500 V dc
Maximum output current	CCS2: 250 A / CHAdeMO: 120 A	CCS2: 250 A / CHAdeMO: 120 A
Maximum output power	150 kW	180 kW
Power factor	> 0.99	> 0.99
Output protection	SCP, OCP, OVP, LVP, OTP, IMD	SCP, OCP, OVP, LVP, OTP, IMD
Energy meter	Yes, integrated DC Meter (DC PTB Meter option)	Yes, integrated DC Meter (DC PTB Meter option)
<b>Functional features</b>		
Connectivity	Ethernet, WiFi and 4G	Ethernet, WiFi and 4G
Communication	CAN BUS / RS485 / OCPP 1.6J / OCPP 2.0.1	CAN BUS / RS485 / OCPP 1.6J / OCPP 2.0.1
Load management	Master&Slave / OCPP	Master&Slave / OCPP
Charging activation	App / RFID / QR Code	App / RFID / QR Code
Contactless payments solution	Optional	Optional
Human interface	7" graphic display	7" graphic display
<b>Mechanical specifications</b>		
Installation type	Floor-mounting	Floor-mounting
Materials	Painted sheet steel	Painted sheet steel
Cable length	4.5 m (option 7 m or 9.5 m)	4.5 m (option 7 m or 9.5 m)
Protection rating	IP55	IP55
Impact protection	IK10	IK10
Operating temperature	-30 °C / +50 °C	-30 °C / +50 °C



For any specific requests, please contact the sales service area.

# I-FAST STATION

	Station	
	Mode 4	Mode 4
<b>Charging mode</b>	Mode 4	Mode 4
<b>Charging sockets</b>	1 x CCS2 + 1 x GBT mobile connectors	1 x CCS2 + 1 x GBT mobile connectors
<b>Electrical specifications</b>		
<b>AC rated input voltage</b>	3φ 380 ÷ 415 V ac	3φ 380 ÷ 415 V ac
<b>Maximum AC input current</b>	3φ 173 A	3φ 230 A
<b>Output voltage range</b>	CCS2: 150 ÷ 950 V dc / GBT: 150 ÷ 750 V dc	CCS2: 150 ÷ 950 V dc / GBT: 150 ÷ 750 V dc
<b>Maximum output current</b>	CCS2: 250 A / GBT: 120 A	CCS2: 250 A / GBT: 120 A
<b>Maximum output power</b>	90 kW	120 kW
<b>Power factor</b>	> 0.99	> 0.99
<b>Output protection</b>	SCP, OCP, OVP, LVP, OTP, IMD	SCP, OCP, OVP, LVP, OTP, IMD
<b>Energy meter</b>	Yes, integrated DC Meter (DC PTB Meter option)	Yes, integrated DC Meter (DC PTB Meter option)
<b>Functional features</b>		
<b>Connectivity</b>	Ethernet, WiFi and 4G	Ethernet, WiFi and 4G
<b>Communication</b>	CAN BUS / RS485 / OCPP 1.6J / OCPP 2.0.1	CAN BUS / RS485 / OCPP 1.6J / OCPP 2.0.1
<b>Load management</b>	Master&Slave / OCPP	Master&Slave / OCPP
<b>Charging activation</b>	App / RFID / QR Code	App / RFID / QR Code
<b>Contactless payments solution</b>	Optional	Optional
<b>Human interface</b>	7" graphic display	7" graphic display
<b>Mechanical specifications</b>		
<b>Installation type</b>	Floor-mounting	Floor-mounting
<b>Materials</b>	Painted sheet steel	Painted sheet steel
<b>Cable length</b>	4.5 m (option 7 m or 9.5 m)	4.5 m (option 7 m or 9.5 m)
<b>Protection rating</b>	IP55	IP55
<b>Impact protection</b>	IK10	IK10
<b>Operating temperature</b>	-30 °C / +50 °C	-30 °C / +50 °C

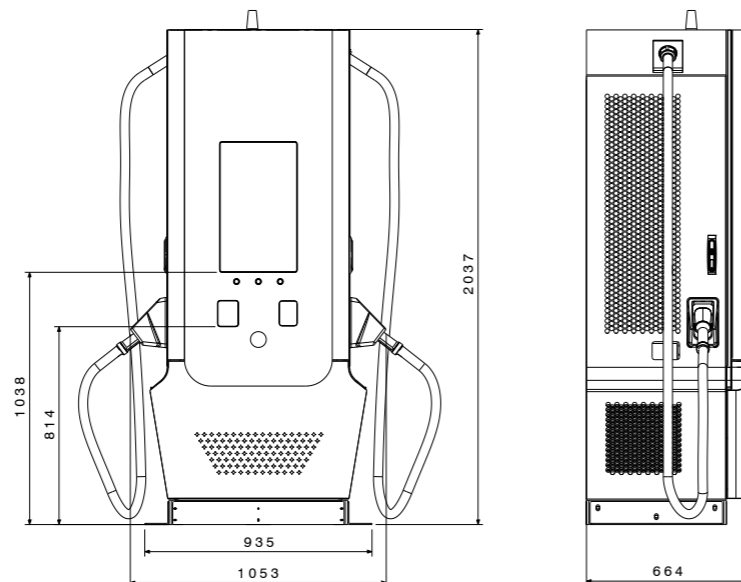
	Station	
	Mode 4	Mode 4
<b>Charging mode</b>	Mode 4	Mode 4
<b>Charging sockets</b>	1 x CCS2 + 1 x GBT mobile connectors	1 x CCS2 + 1 x GBT mobile connectors
<b>Electrical specifications</b>		
<b>AC rated input voltage</b>	3φ 380 ÷ 415 V ac	3φ 380 ÷ 415 V ac
<b>Maximum AC input current</b>	3φ 289 A	3φ 345 A
<b>Output voltage range</b>	CCS2: 150 ÷ 950 V dc / GBT: 150 ÷ 750 V dc	CCS2: 150 ÷ 950 V dc / GBT: 150 ÷ 750 V dc
<b>Maximum output current</b>	CCS2: 250 A / GBT: 120 A	CCS2: 250 A / GBT: 120 A
<b>Maximum output power</b>	150 kW	180 kW
<b>Power factor</b>	> 0.99	> 0.99
<b>Output protection</b>	SCP, OCP, OVP, LVP, OTP, IMD	SCP, OCP, OVP, LVP, OTP, IMD
<b>Energy meter</b>	Yes, integrated DC Meter (DC PTB Meter option)	Yes, integrated DC Meter (DC PTB Meter option)
<b>Functional features</b>		
<b>Connectivity</b>	Ethernet, WiFi and 4G	Ethernet, WiFi and 4G
<b>Communication</b>	CAN BUS / RS485 / OCPP 1.6J / OCPP 2.0.1	CAN BUS / RS485 / OCPP 1.6J / OCPP 2.0.1
<b>Load management</b>	Master&Slave / OCPP	Master&Slave / OCPP
<b>Charging activation</b>	App / RFID / QR Code	App / RFID / QR Code
<b>Contactless payments solution</b>	Optional	Optional
<b>Human interface</b>	7" graphic display	7" graphic display
<b>Mechanical specifications</b>		
<b>Installation type</b>	Floor-mounting	Floor-mounting
<b>Materials</b>	Painted sheet steel	Painted sheet steel
<b>Cable length</b>	4.5 m (option 7 m or 9.5 m)	4.5 m (option 7 m or 9.5 m)
<b>Protection rating</b>	IP55	IP55
<b>Impact protection</b>	IK10	IK10
<b>Operating temperature</b>	-30 °C / +50 °C	-30 °C / +50 °C



For any specific requests, please contact the sales service area.

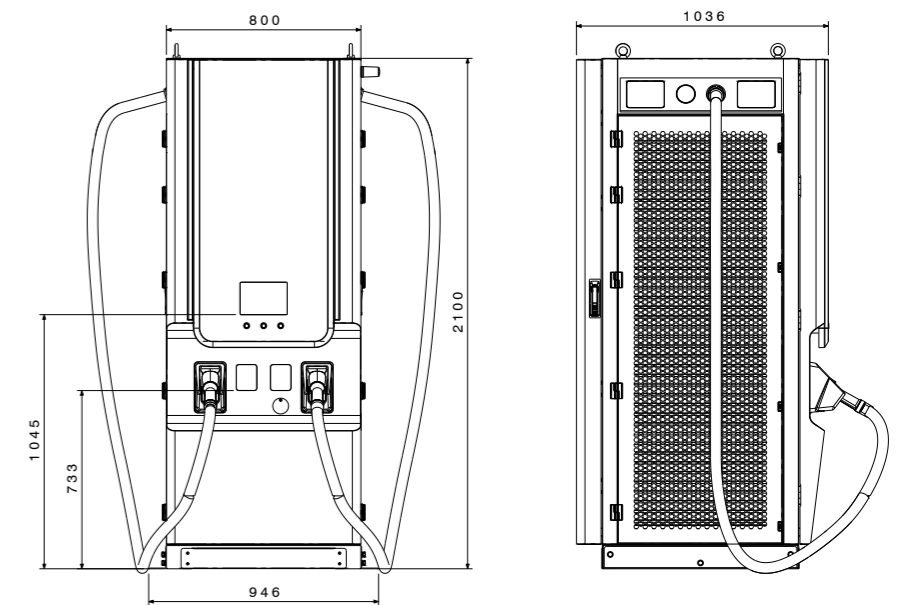
# I-FAST HPC COMPACT

	HPC Compact	
Charging mode	Mode 4	Mode 4
Charging sockets	2 x CCS2 mobile connectors	1 x CCS2 + 1 x CHAdeMO mobile connectors
<b>Electrical specifications</b>		
AC rated input voltage	3φ 380 ÷ 415 V ac	3φ 380 ÷ 415 V ac
Maximum AC input current	3φ 460 A	3φ 460 A
Output voltage range	CCS2: 150 ÷ 950 V dc	CCS2: 150 ÷ 950 V dc CHAdeMO: 150 ÷ 500 V dc
Maximum output current	CCS2: 300 A (option 500 A Liquid)	CCS2: 300 A (option 500 A Liquid) / CHAdeMO: 200 A
Maximum output power	240 kW	240 kW
Power factor	> 0.99	> 0.99
Output protection	SCP, OCP, OVP, LVP, OTP, IMD	SCP, OCP, OVP, LVP, OTP, IMD
Energy meter	Yes, integrated DC Meter (DC PTB Meter option)	Yes, integrated DC Meter (DC PTB Meter option)
<b>Functional features</b>		
Connectivity	Ethernet, WiFi and 4G	Ethernet, WiFi and 4G
Communication	CAN BUS / RS485 / OCPP 1.6J / OCPP 2.0.1	CAN BUS / RS485 / OCPP 1.6J / OCPP 2.0.1
Load management	Master&Slave / OCPP	Master&Slave / OCPP
Charging activation	App / RFID / QR Code	App / RFID / QR Code
Contactless payments solution	Optional	Optional
Human interface	21" graphic display	21" graphic display
<b>Mechanical specifications</b>		
Installation type	Floor-mounting	Floor-mounting
Materials	Painted sheet steel	Painted sheet steel
Cable length	4.5 m (option 7 m)	4.5 m (option 7 m)
Protection rating	IP55	IP55
Impact protection	IK10	IK10
Operating temperature	-30 °C / +50 °C	-30 °C / +50 °C



# I-FAST HPC STATION

	HPC Station		
Charging mode	Mode 4	Mode 4	Mode 4
Charging sockets	2 x CCS2 mobile connectors (option 4x)	2 x CCS2 mobile connectors (option 4x)	2 x CCS2 mobile connectors (option 4x)
<b>Electrical specifications</b>			
AC rated input voltage	3φ 380 ÷ 415 V ac	3φ 380 ÷ 415 V ac	3φ 380 ÷ 415 V ac
Maximum AC input current	3φ 587 A	3φ 734 A	3φ 880 A
Output voltage range	CCS2: 150 ÷ 950 V dc	CCS2: 150 ÷ 950 V dc	CCS2: 150 ÷ 950 V dc
Maximum output current	CCS2: 300 A (option 500 A Liquid)	CCS2: 300 A (option 500 A Liquid)	CCS2: 300 A (option 500 A Liquid)
Maximum output power	320 kW	400 kW	480 kW
Power factor	> 0.99	> 0.99	> 0.99
Output protection	SCP, OCP, OVP, LVP, OTP, IMD	SCP, OCP, OVP, LVP, OTP, IMD	SCP, OCP, OVP, LVP, OTP, IMD
Energy meter	Yes, integrated DC Meter (DC PTB Meter option)	Yes, integrated DC Meter (DC PTB Meter option)	Yes, integrated DC Meter (DC PTB Meter option)
<b>Functional features</b>			
Connectivity	Ethernet, WiFi and 4G	Ethernet, WiFi and 4G	Ethernet, WiFi and 4G
Communication	CAN BUS / RS485 / OCPP 1.6J / OCPP 2.0.1	CAN BUS / RS485 / OCPP 1.6J / OCPP 2.0.1	CAN BUS / RS485 / OCPP 1.6J / OCPP 2.0.1
Load management	Master&Slave / OCPP	Master&Slave / OCPP	Master&Slave / OCPP
Charging activation	App / RFID / QR Code	App / RFID / QR Code	App / RFID / QR Code
Contactless payments solution	Optional	Optional	Optional
Human interface	7" graphic display (opt. 21" adv additional)	7" graphic display (opt. 21" adv additional)	7" graphic display (opt. 21" adv additional)
<b>Mechanical specifications</b>			
Installation type	Floor-mounting	Floor-mounting	Floor-mounting
Materials	Painted sheet steel	Painted sheet steel	Painted sheet steel
Cable length	4.5 m (option 7 m)	4.5 m (option 7 m)	4.5 m (option 7 m)
Protection rating	IP55	IP55	IP55
Impact protection	IK10	IK10	IK10
Operating temperature	-30 °C / +50 °C	-30 °C / +50 °C	-30 °C / +50 °C

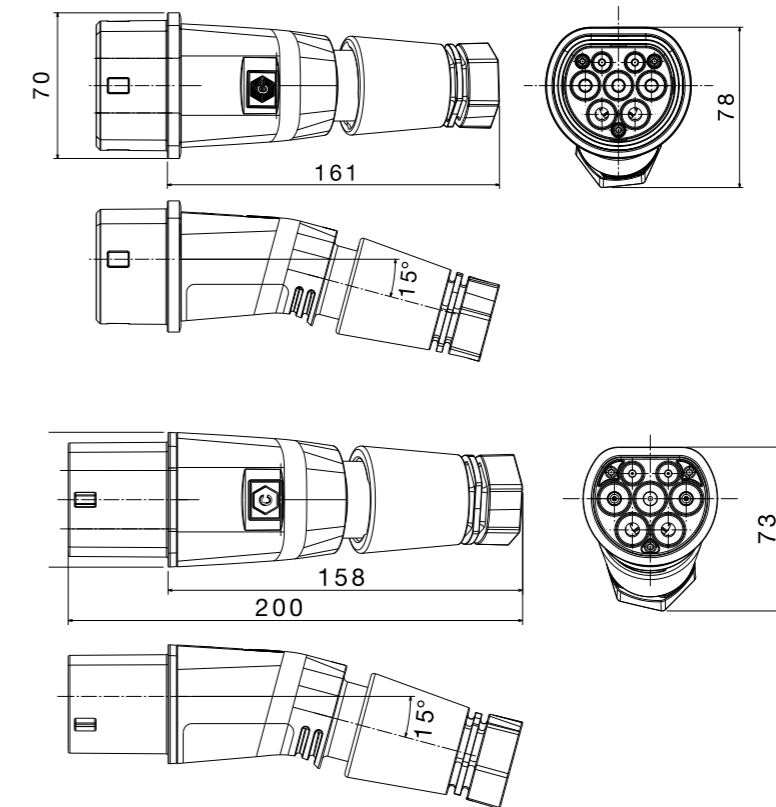


# I-CORD

Type 2 charging cable - Smooth		
<b>Electrical specifications</b>		
<b>Power type</b>	Single-phase	Three-phase
<b>Number of poles</b>	L1 - N - PE - CC - CP	L1/L2/L3 - N - PE - CC - CP
<b>Rated current</b>	20 A / 32 A	16 A / 32 A
<b>Maximum power</b>	4.6 kW / 7.4 kW	11 kW / 22 kW
<b>Rated voltage</b>	230 / 250 V	380 / 480 V
<b>Rated frequency</b>	50-60 Hz	50-60 Hz
<b>Mechanical specifications</b>		
<b>Connector</b>		
<b>Handle colour</b>	Black RAL 9004	Black RAL 9004
<b>Cable gland and plug colour</b>	Black RAL 9004	Black RAL 9004
<b>IP rating</b>	IP55 with cap	IP55 with cap
<b>Impact resistance</b>	IK10	IK10
<b>Glow Wire Test (according EN 62196-2)</b>	650 °C / 850 °C	650 °C / 850 °C
<b>Operating temperature</b>	-30 °C / +50 °C	-30 °C / +50 °C
<b>Cable</b>		
<b>Cable type</b>	Smooth	Smooth
<b>Cable length</b>	5 m / 8 m	5 m / 8 m
<b>Cable diameter</b>	2.5 mm <sup>2</sup> / 6 mm <sup>2</sup>	2.5 mm <sup>2</sup> / 6 mm <sup>2</sup>



Type 2 charging cable - Spiral		
<b>Electrical specifications</b>		
<b>Power type</b>	Single-phase	Three-phase
<b>Number of poles</b>	L1 - N - PE - CC - CP	L1/L2/L3 - N - PE - CC - CP
<b>Rated current</b>	32 A	32 A
<b>Maximum power</b>	7.4 kW	22 kW
<b>Rated voltage</b>	230 / 250 V	380 / 480 V
<b>Rated frequency</b>	50-60 Hz	50-60 Hz
<b>Mechanical specifications</b>		
<b>Connector</b>		
<b>Handle colour</b>	Black RAL 9004	Black RAL 9004
<b>Cable gland and plug colour</b>	Black RAL 9004	Black RAL 9004
<b>IP rating</b>	IP55 with cap	IP55 with cap
<b>Impact resistance</b>	IK10	IK10
<b>Glow Wire Test (according EN 62196-2)</b>	650 °C / 850 °C	650 °C / 850 °C
<b>Operating temperature</b>	-30 °C / +50 °C	-30 °C / +50 °C
<b>Cable</b>		
<b>Cable type</b>	Spiral	Spiral
<b>Cable length</b>	4 m	4 m
<b>Cable diameter</b>	6 mm <sup>2</sup>	6 mm <sup>2</sup>





**GEWISS S.p.A.**

Registered Office: Via Domenico Bosatelli, 1  
24069 Cenate Sotto (BG), Italy

**T** +39 035 946 111

**E** [gewiss@gewiss.com](mailto:gewiss@gewiss.com)

[www.gewiss.com](http://www.gewiss.com)

Bergamo Business Register / VAT / Tax Code (IT) 00385040167

Economic and Administrative Index 107496 - Share Capital 60,096,000.00 EUR fully paid up

Company subject to the management and coordination of Polifin S.p.A.

Visit [www.gewiss.com](http://www.gewiss.com)  
and follow us on

